



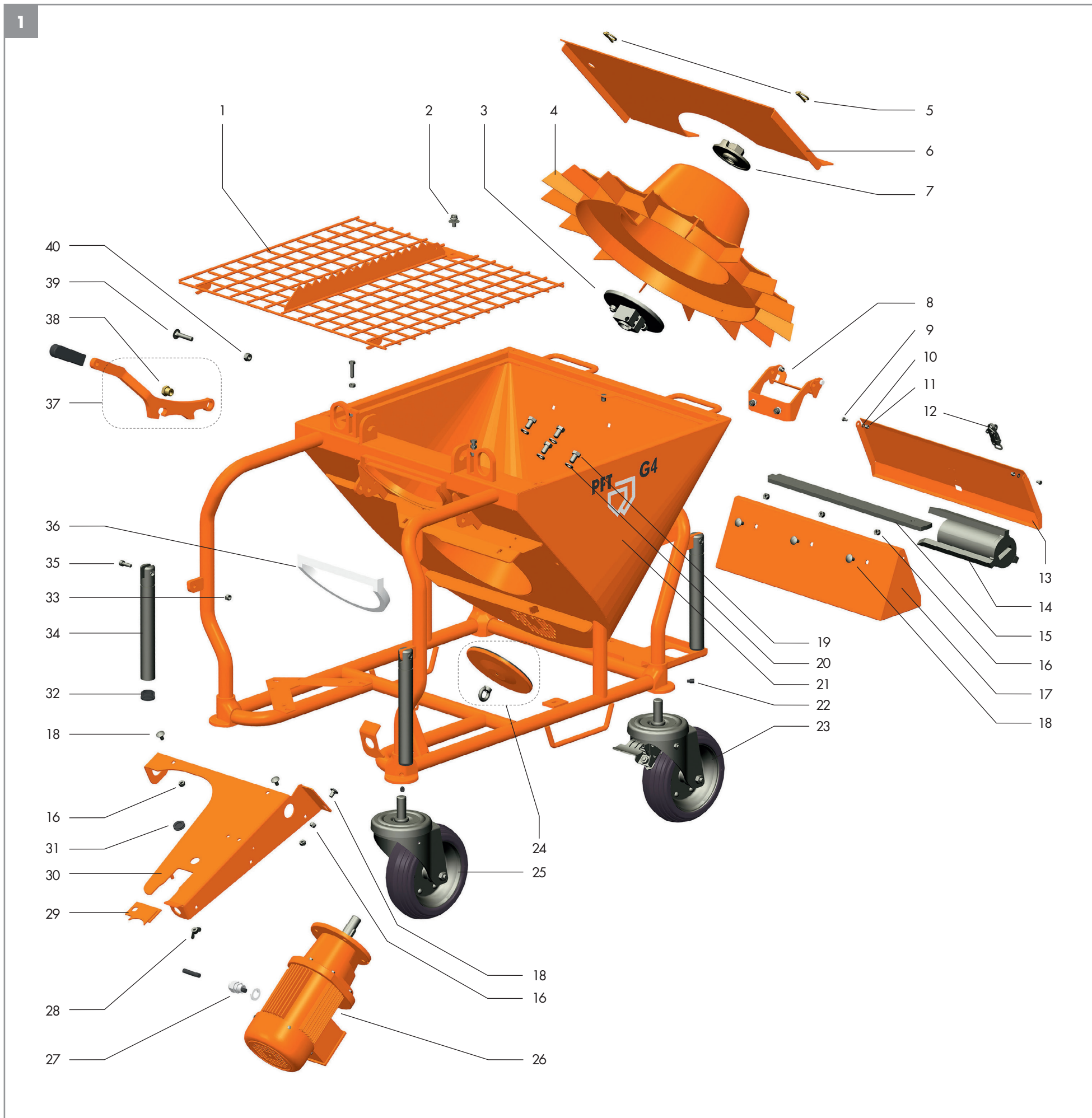
# PFT G 4 smart

## Spare parts



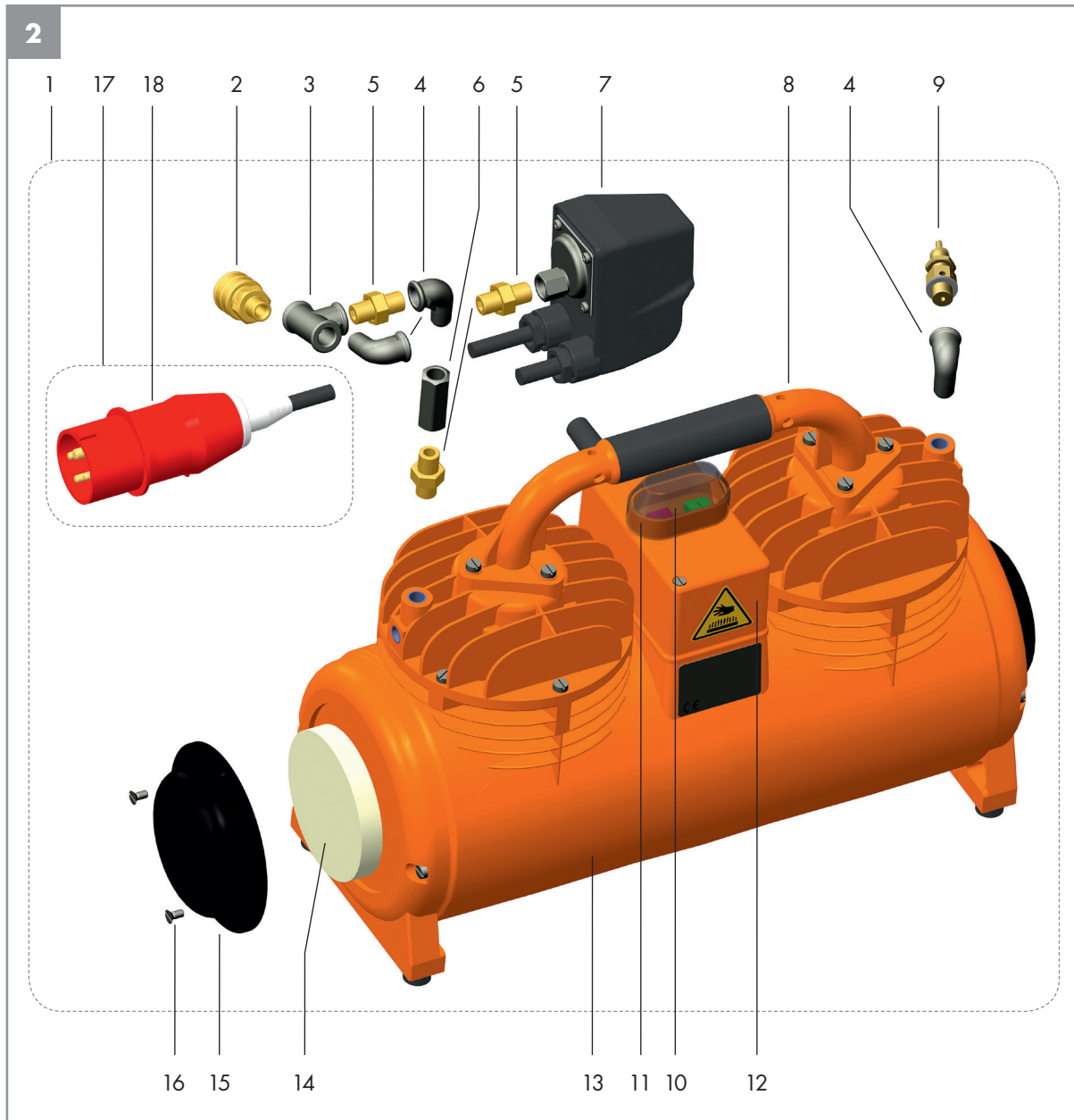
### 1 Material hopper with tubular frame / star wheel motor

Pos.	Part no.	Description
1	00 23 74 84	Protection grille G 4
2	00 21 43 19	Fixing screw
3	20 10 18 10	Star wheel fixing plate
4	00 23 98 33	Star wheel
5	20 10 10 10	Lynchpin
6	00 23 90 53	Anti material accumulation plate
7	00 07 27 90	Star wheel nut
8	00 24 87 79	Support compressor
9	20 20 71 01	Hexagonal screw M6
10	20 20 93 00	Washer A 6.4
11	20 20 62 00	Safety nut M6
12	00 26 04 32	Closure
13	00 23 75 11	Cover for tool box
14	20 10 23 20	Mixing tube cleaner
15	00 53 92 20	Cleaning shaft BIONIK
16	20 20 72 00	Safety nut M8
17	00 23 75 08	Housing tool box
18	20 20 63 14	Saucer-head screw M8
19	20 20 99 61	Hexagonal screw M 12
20	20 20 91 10	Spring lock washer B 12
21	00 28 16 90	Material hopper
22	00 43 48 95	Threaded pin
23	00 49 49 14	Stop castor
24	00 00 26 89	Lock for cleaning hole
25	00 49 49 11	Castor
26	00 45 80 90	Gear motor 0.75 kW, 28 rpm ZF20
27	00 58 87 03	Gear motor 0.75 kW, 29 rpm SK20
28	00 41 11 27	Skintop screw coupling M20
29	20 20 58 63	Wing nut M8
30	00 46 31 38	Cover for water/ air manifold
31	00 28 89 92	Cover for water/ air manifold
32	00 29 24 96	Cable sleeve
33	00 12 62 99	Lamella plug
34	20 20 72 00	Safety nut M8
35	00 02 64 09	Carrying handle
36	00 44 11 23	Cylinder screw M8
37	00 45 82 42	Gasket for material hopper
38	00 45 82 42	Locking lever
39	00 08 29 29	Eccentric bush
40	00 13 63 35	Saucer-head screw M10
41	20 20 72 10	Safety nut M10



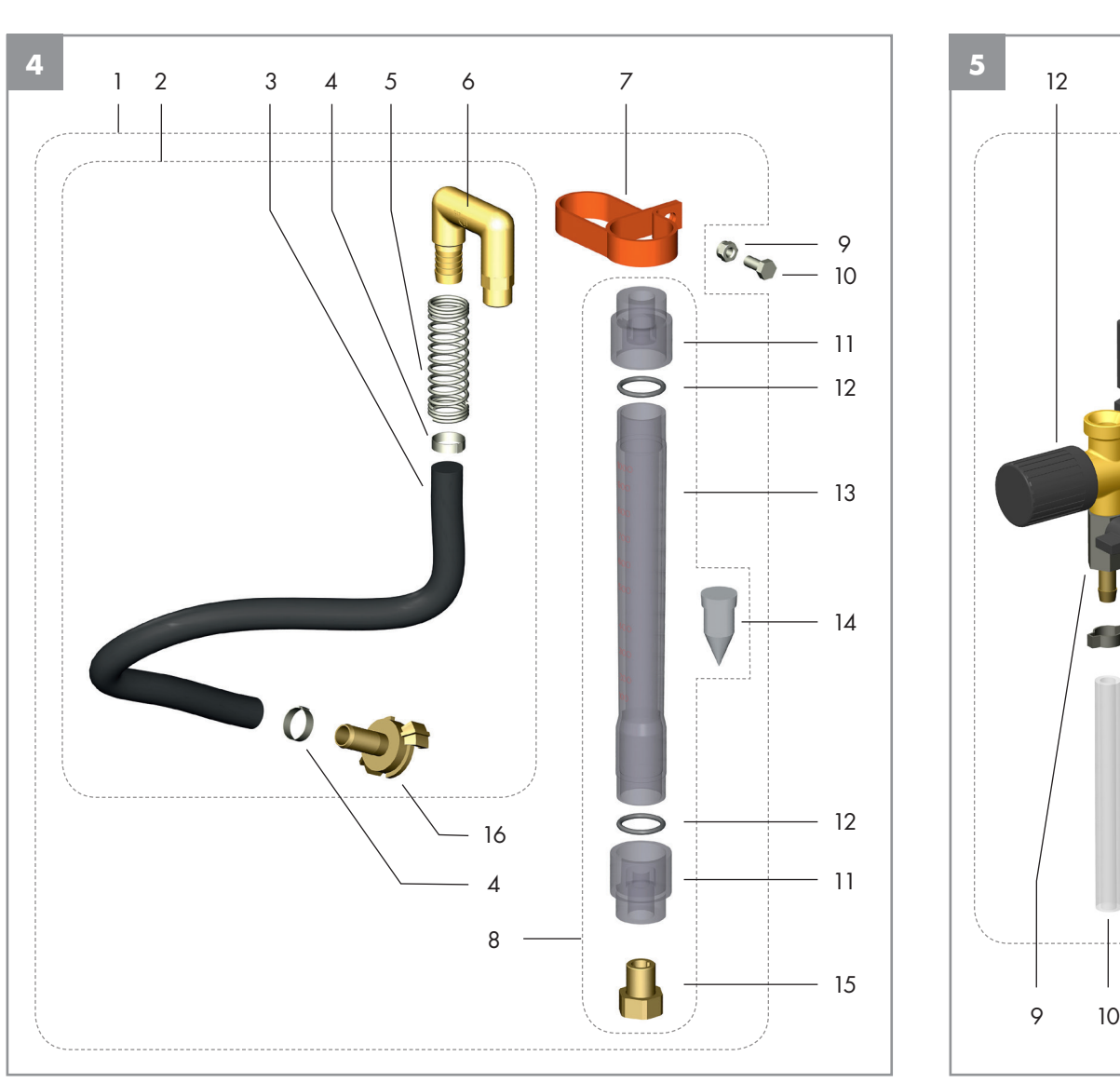
### 2 Air compressor COMP M-250 Handy with pressure switch-off

Pos.	Part no.	Description
1	00 41 43 37	Air compressor COMP M-250 Handy
2	20 20 20 00	Ewo coupling female part
3	20 20 25 70	Tipiece 1/4"
4	20 20 36 50	Angle 1/4"
5	20 20 37 12	Screw joint 1/4"
6	20 21 90 51	Double non-return valve 1/4"
7	20 13 51 10	Pressure switch 1.5/2.5 bar
8	20 13 41 00	Handle
9	20 13 12 00	Safety valve 3.5 bar
10	20 13 16 10	Plastic cover, oval
11	20 45 06 10	Motor protection switch 1.6-2.5A
12	20 13 22 20	Switch hood
13	20 13 00 15	Air compressor COMP M-250 Handy, without pressure switch
14	20 13 03 00	Filter set
15	00 01 01 57	Silencer
16	20 20 74 12	Countersunk screw M5
17	20 42 41 11	Motor connection cable CEE 4 x 1.6A
18	20 42 79 00	CEE plug 4 x 1.6A 6h, red



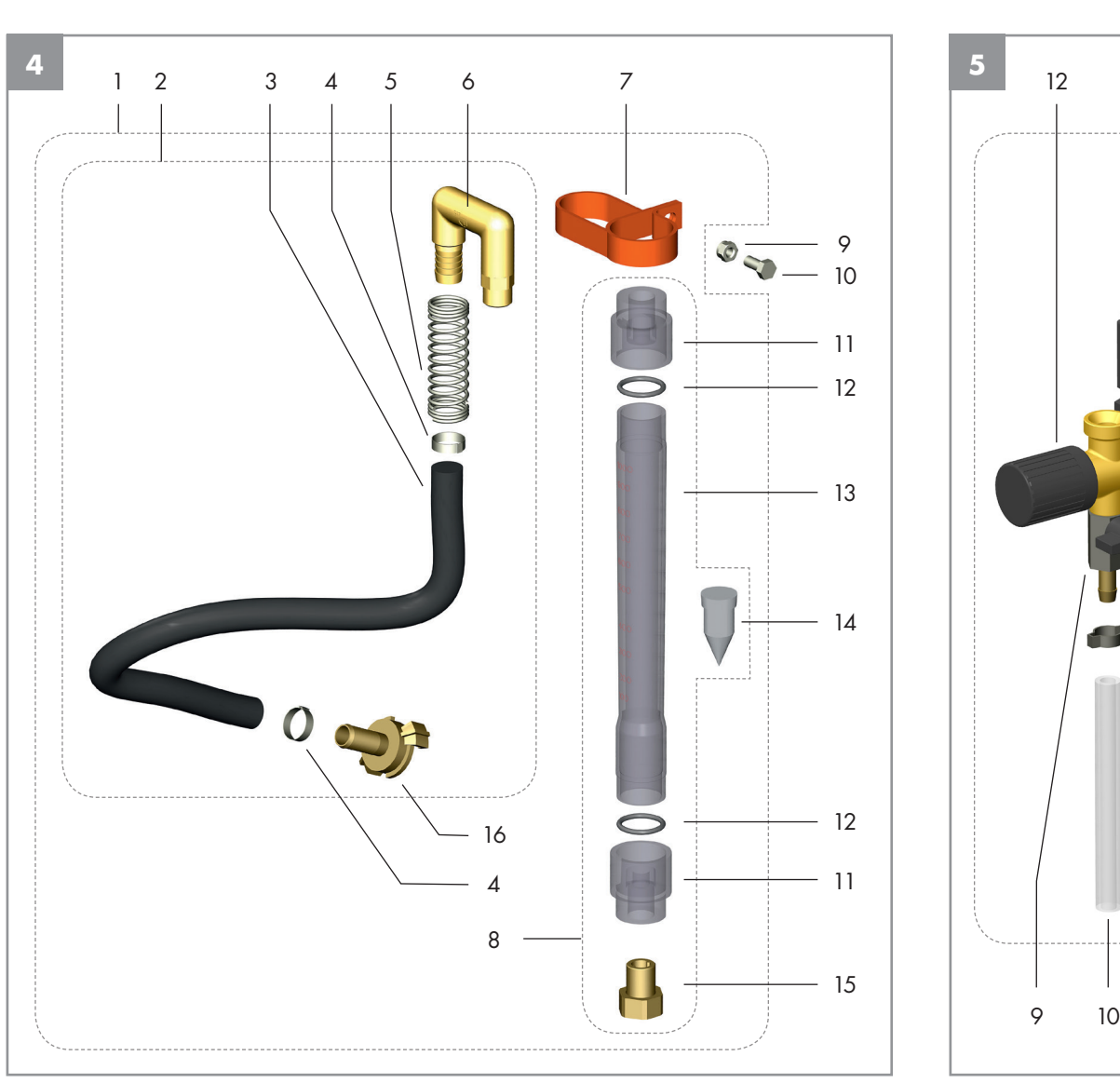
### 3 Air manifold

Pos.	Part no.	Description
1	20 20 66 03	Safety capped nut M8
2	00 54 05 79	Round steel bow M8
3	00 58 85 63	Air manifold, complete
4	20 20 21 00	Ewo-coupling male part
5	00 05 91 96	Hose clip
6	00 52 95 52	Water hose/air hose DN12 - 1,130 mm
7	00 43 79 45	Water hose/air hose DN12 - 650 mm
8	00 52 12 57	Tipiece 1/2"
9	20 13 30 10	Pressure switch 0.9/1.2 bar
10	20 13 35 03	Water hose/air hose DN12 - 170 mm
11	00 00 24 27	Water hose/air hose DN12 - 460 mm
12	00 03 93 71	Hose screw connection
13	20 20 20 02	Ewo coupling female part



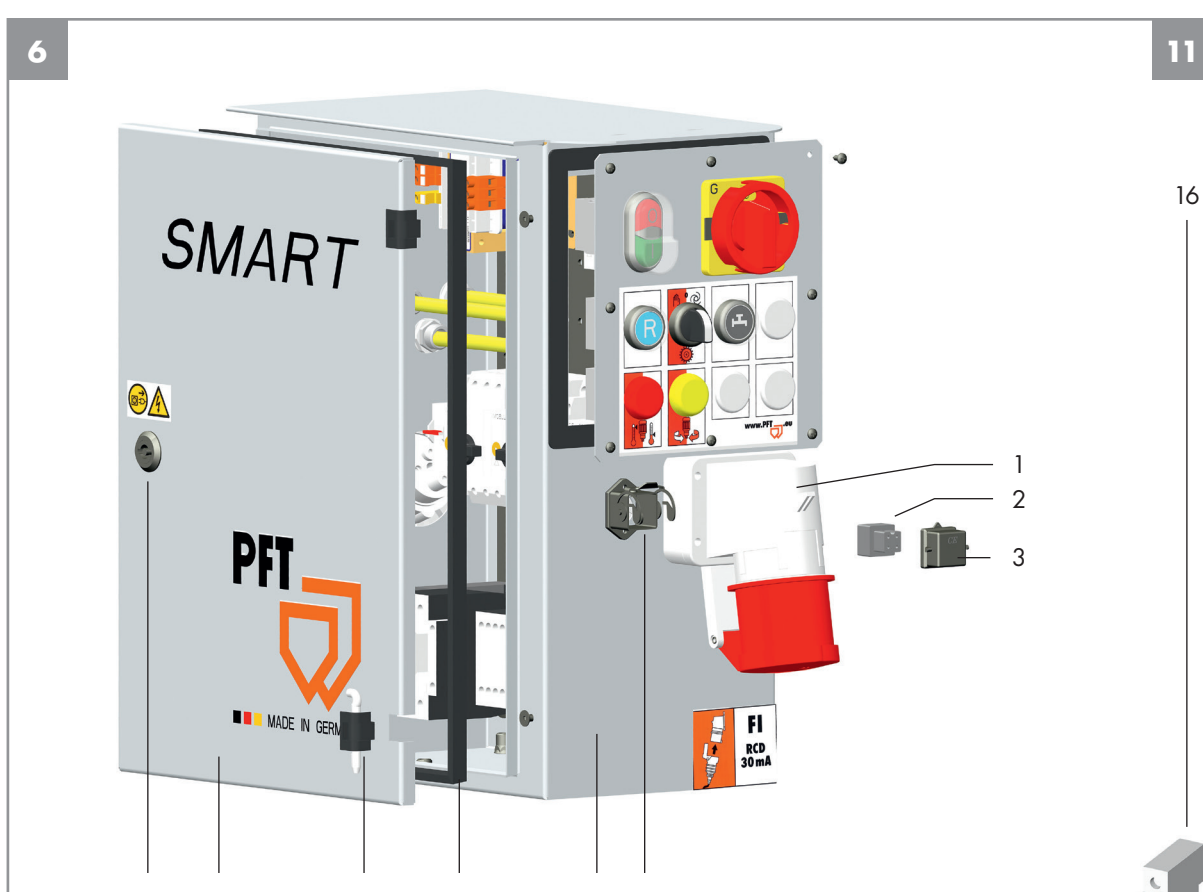
### 4 Water flow meter 100-1,000 l/h complete

Pos.	Part no.	Description
1	00 42 59 75	Water connection with water flow meter 100-1,000 l/h
2	00 17 22 50	Hose unit complete
3	20 21 35 00	Water hose/air hose DN12 - 580 mm
4	00 05 91 96	Hose clip
5	00 25 47 33	Hose kink protection
6	00 17 22 49	Uconnection
7	20 10 26 11	Clamp
8	00 18 30 00	Water flow meter 100-1,000 l/h
9	20 20 72 00	Safety nut M8
10	20 20 61 00	Hexagonal screw M8
11	20 18 33 10	Reduction nipple
12	20 18 32 00	O-ring
13	20 18 31 00	Plastic tube 100-1,000 l/h
14	20 18 34 00	Cone
15	20 20 31 05	Nipple 1/2"
16	20 20 15 00	Geka coupling 1/2"



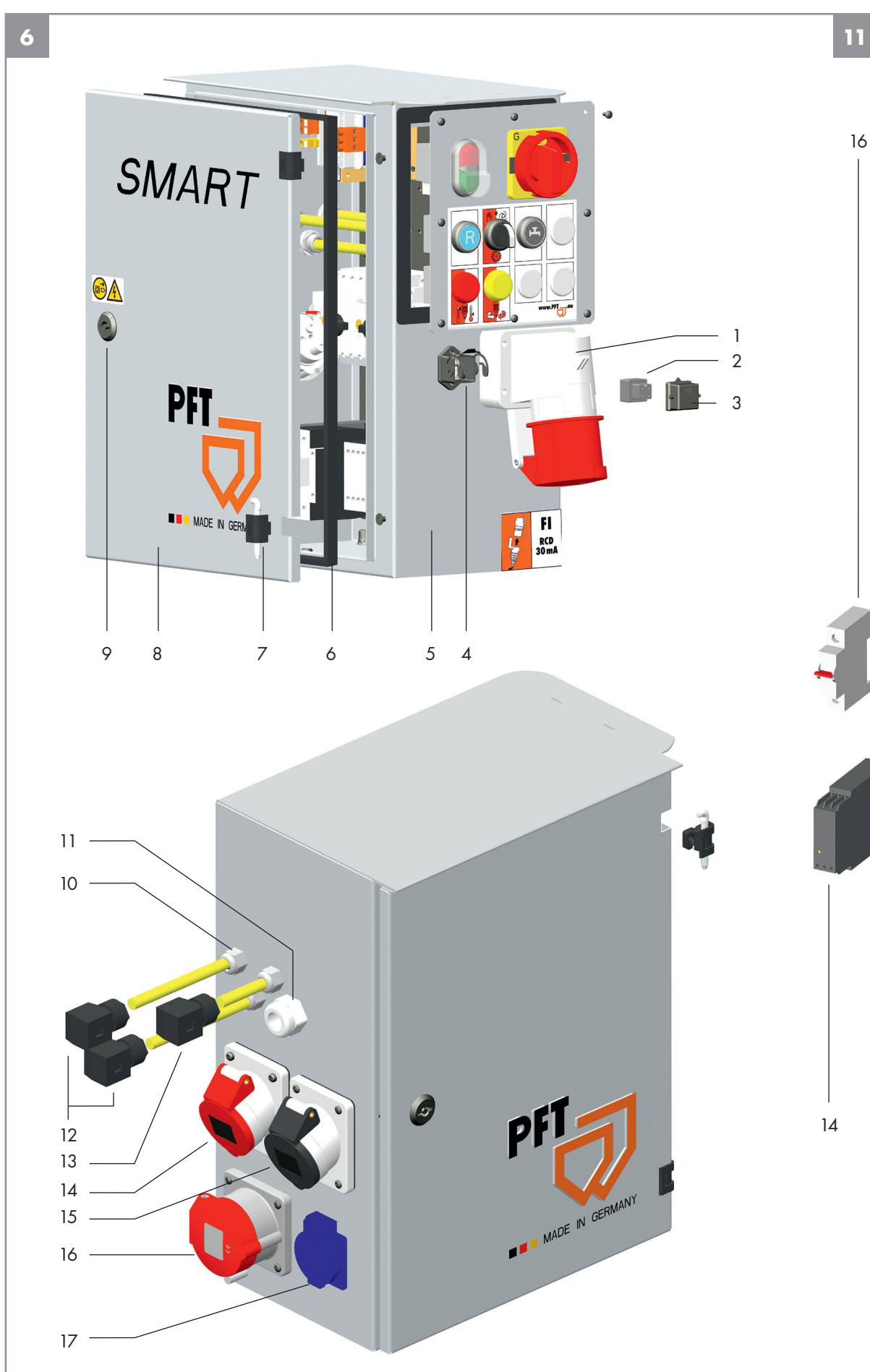
### 5 Manifold block 42V

Pos.	Part no.	Description
1	00 42 24 74	Water manifold complete
2	00 15 30 16	Pressure switch 1.9/2.2 bar
3	20 20 51 12	Reducing nipple
4	00 06 88 93	Hose nozzle
5	20 15 60 10	Fibre sealing ring
6	00 01 99 13	Pressure gauge 0 - 16 bar
7	20 15 60 00	Screen for pressure reducer
8	20 20 58 80	Locking screw
9	20 21 53 03	Ball valve 1/4"
10	00 04 77 19	Hose section
11	20 20 26 10	Hose clip
12	00 04 26 26	Regulating valve insert
13	00 01 96 06	Solenoid valve 42V



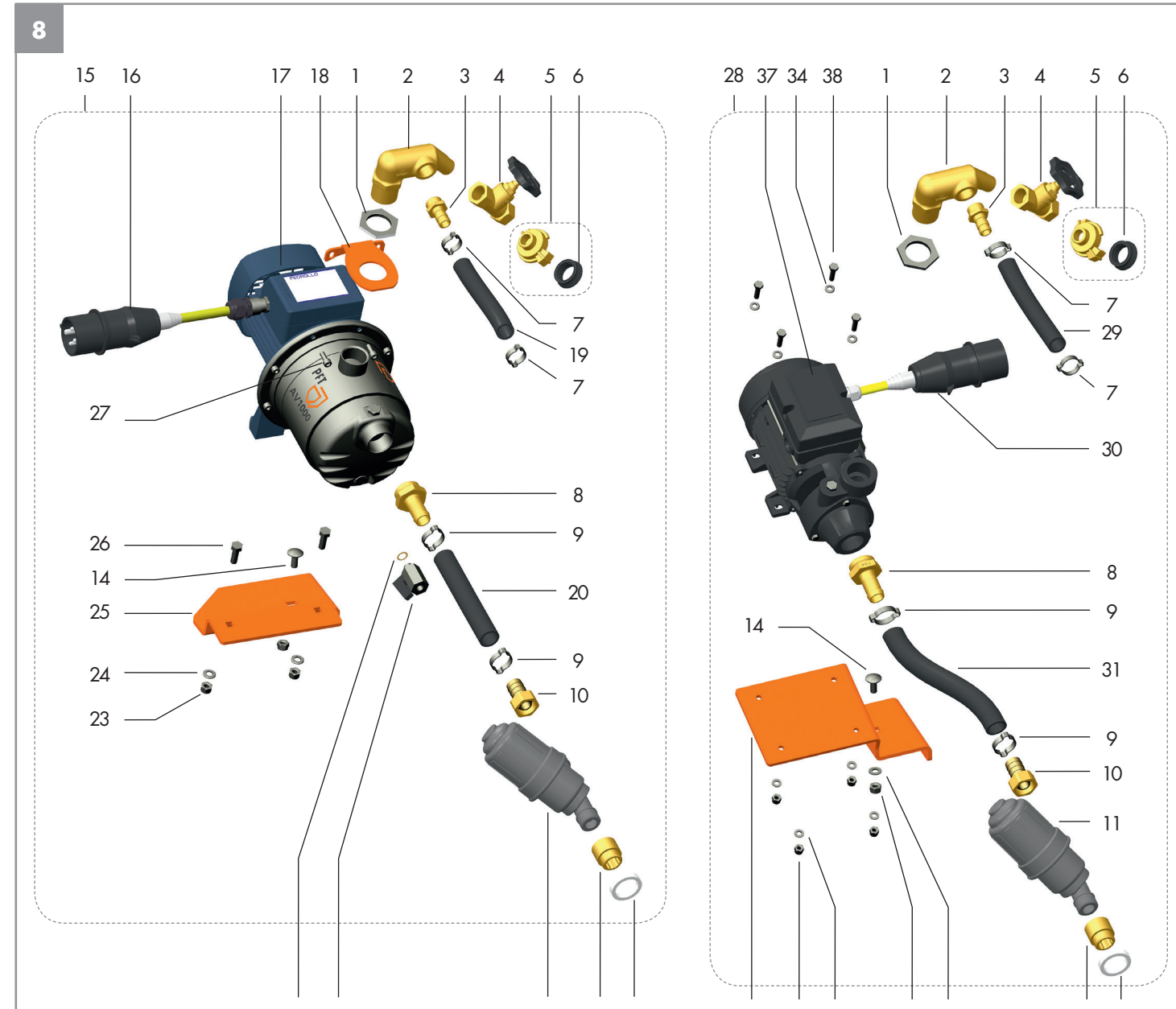
### 6 Control box G 4 smart outside

Pos.	Part no.	Description
1	00 00 21 29	CEE connection plug 5 x 32A 6h, red
2	20 42 86 07	Female insert
3	00 10 45 68	Dummy connector
4	20 42 86 04	Socket housing
5	00 25 25 28	Empty housing
6	00 02 34 95	Sealing profile
7	00 29 28 52	Hinge 180°, complete
8	00 25 25 32	Door G 4 smart
9	00 29 28 53	lock
10	00 04 11 41	Skintop screw coupling M16
11	00 04 11 27	Skintop screw coupling M20
12	00 02 20 64	Plug pressure switch
13	00 20 67 29	Plug solenoid valve
14	20 42 66 10	CEE panel mounted socket 4 x 1.6A 6h, red
15	00 02 20 66	CEE panel mounted socket 4 x 1.6A 7h, black
16	00 00 85 18	CEE panel mounted socket 7 x 1.6A 6h, red
17	20 42 72 00	Schuko panel mounted socket



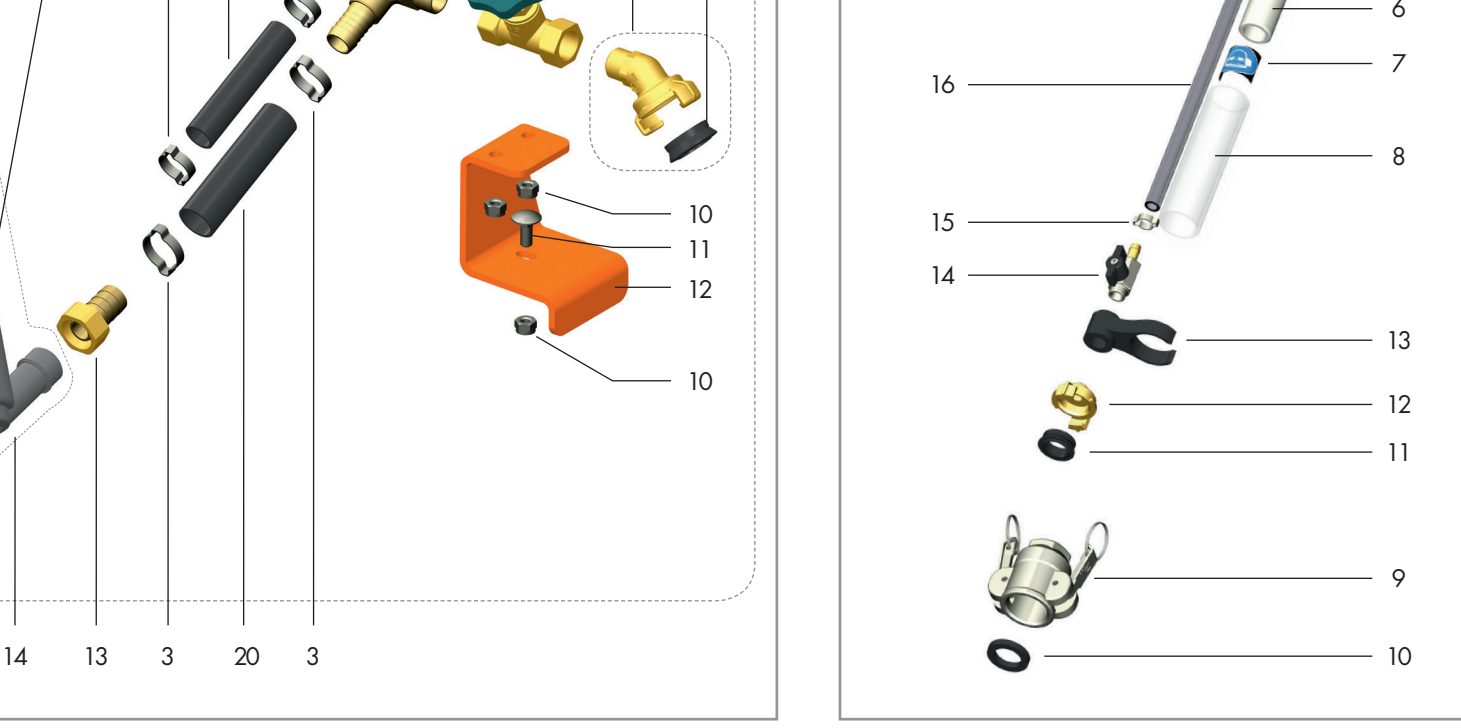
### 7 Rubber mixing tube and mixing tube

Pos.	Part no.	Description
1	00 13 08 92	Gear motor 5.5 kW, 385 rpm SK25
1	00 43 09 46	Gear motor 5.5 kW, 400 rpm ZF21
2	20 10 08 01	Quick release fastener
3	20 20 78 01	Hexagonal screw M8
4	20 20 78 05	Hexagonal screw MB
5	00 24 90 54	Deflector plate
6	20 10 10 10	Lynchpin
7	20 10 12 02	Hinged bolt
8	00 23 96 99	Tilt flange
9	20 10 29 00	Protective tube
10	20 20 72 00	Safety nut M8
11	00 53 96 72	Mixing shaft BIONIK
12	00 28 04 70	Mixing tube with adaptable flange
13	20 10 60 50	Blind cover
14	20 20 31 10	Geka coupling 1"
15	20 20 99 21	Castor nut M16
16	20 10 42 30	O-ring
17	00 08 94 32	Suction flange for Dpump
18	20 20 99 20	Hexagonal nut M16
19	00 23 79 08	Rotor D 6-3
20	20 11 87 80	Tilt rod
21	00 08 88 62	Stator TWISTER D 6-3
22	00 46 76 69	Pressure flange pro Dpump
23	20 20 05 00	Cam lever
24	00 01 30 16	Dowel pin
25	00 10 74 58	Coupling 25 female part
26	00 09 90 88	Motor pressure gauge 0-100 bar
27	20 20 07 12	Gasket 35 female part
28	00 19 52 41	Suction flange for Dpump
29	00 19 52 32	Rubber mixing tube
30	20 20 17 00	Gasket
31	00 20 31 00	Geka coupling 3/4"
32	00 28 04 68	Mixing tube G 4 without handle end without adaptable flange
33	20 10 09 00	Gasket mixing tube
34	00 52 14 10	Hauling bracket BIONIK
35	00 40 31 95	Motor connection cable CEE 7 x 1.6A
36	00 46 76 31	Pin for pressure flange
37	00 09 94 53	Coupling 25 male part
38	20 11 55 10	Stator D 6-3 mf
39	00 28 04 71	Mixing tube G 4 without handle end with Dpump flange



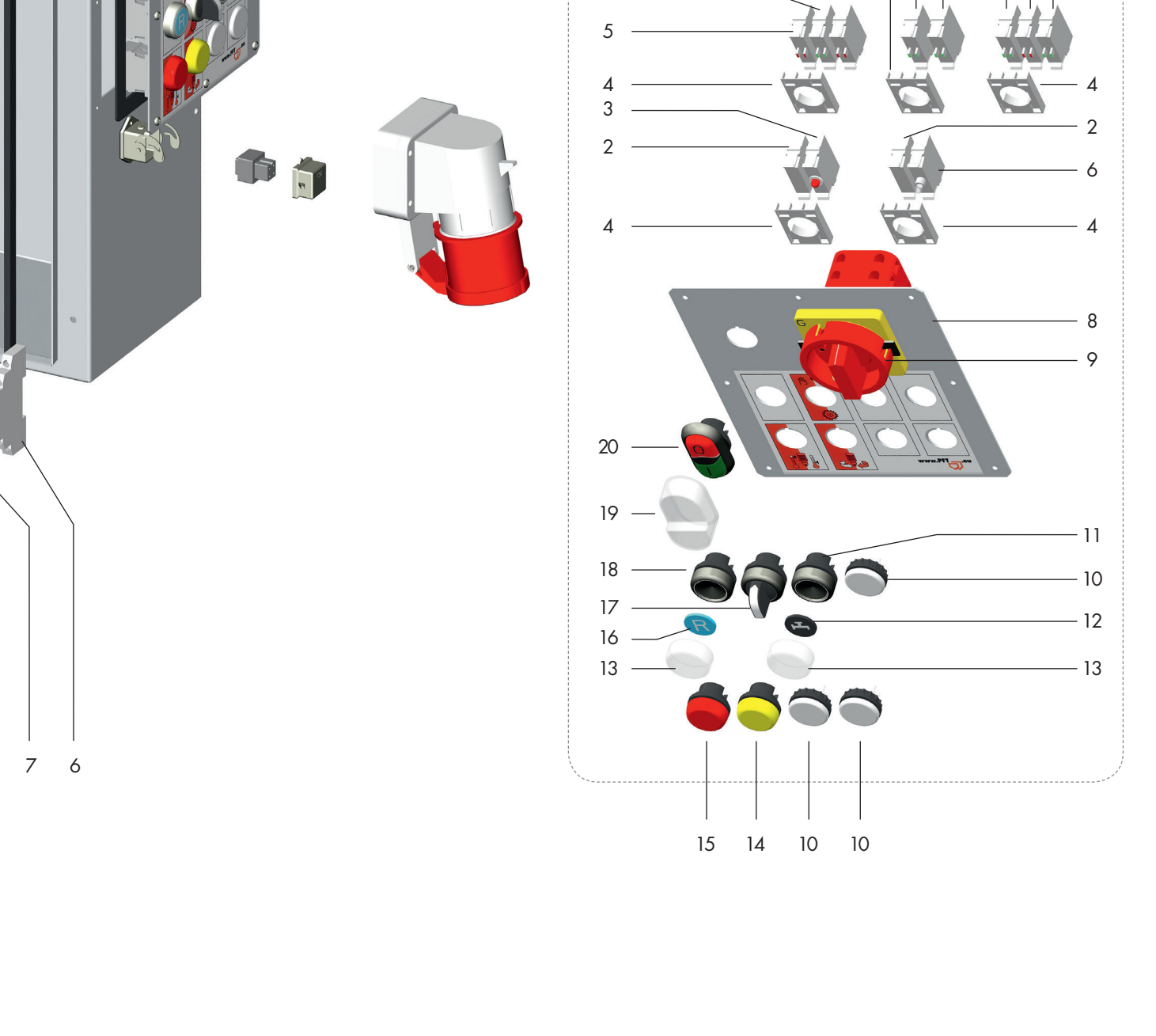
### 8 Water pressure booster pump

Pos.	Part no.	Description
1	00 47 44 41	Tube nut
2	00 43 28 11	Distributor for pressure booster pump
3	20 19 04 10	Hose screw connection
4	20 21 52 00	Tap
5	20 20 09 00	Geka coupling 1/2"
6	20 20 17 00	Gasket Geka coupling
7	00 05 91 96	Hose clip
8	20 19 04 63	Hose screw connection
9	00 02 36 41	Hose clip
10	20 20 37 75	Hose nozzle 3/4"
11	00 25 73 87	Strainer
12	00 03 58 97	Tap extension
13	00 27 18 27	Spacer disc
14	20 20 63 23	Saucer-head screw
15	00 49 34 81	Water pressure booster pump AV 1000 400 V
16	00 42 12 09	Motor connection cable
17	00 49 35 13	Water pump as suction pump AV 1000
18	00 58 82 82	Reinforcement for pump housing
19	00 53 38 03	Water hose/air hose DN12 - 165 mm
20	00 61 19 82	Water hose/air hose DN19 - 120 mm
21	00 27 19 87	Ball valve 1/8"
22	20 56 53 27	Copper gasket ring
23	20 20 72 00	Safety nut M8
24	20 20 93 13	Washer B 8.4
25	00 49 28 04	Support for pressure flange
26	20 20 78 10	Hexagonal screw M8
27	00 23 28 58	Cylinder screw M6
28	00 25 73 78	Water pressure booster pump AVO 500 400 V
29	20 21 35 03	Water hose/air hose DN12 - 170 mm
30	20 24 33 32	Motor connection cable
31	00 04 35 57	Water hose/air hose DN19 - 250 mm
32	20 20 62 00	Safety nut M6
33	20 20 93 00	Washer A 6.4
34	20 20 72 00	Safety nut M8
35	20 20 32 13	Washer B 8.4
36	00 25 09 43	Support for pressure booster pump
37	00 11 13 19	Water pump for pressure boosting AVO 500
38	20 20 71 03	Hexagonal screw M6



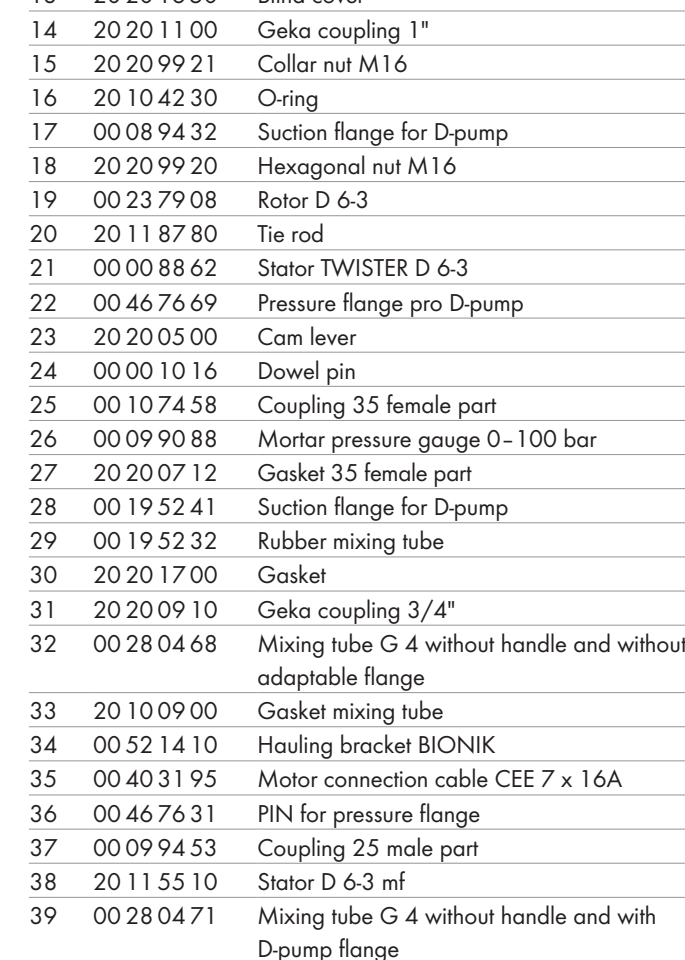
### 9 Bracket for tap

Pos.	Part no.	Description
1	00 40 13 43	Bracket for tap complete
2	00 42 24 95	Water hose/air hose DN12 - 310 mm
3	00 02 36 41	Hose clip
4	00 05 91 96	Hose clip
5	00 58 85 66	Angular distributor
6	20 20 99 85	Round steel bow M8
7	20 21 52 00	Tap 1/2"
8	00 14 75 67	Geka coupling 1/2"
9	20 20 17 00	Gasket Geka coupling
10	20 20 72 00	Safety nut M8
11	20 20 63 22	Saucer-head screw M8
12	00 40 13 45	Bracket for tap complete
13	20 20 37 75	Hose nozzle 3/4"
14	00 25 73 87	Strainer
15	00 03 58 97	Tap extension
16	00 27 18 27	Spacer disc
17	00 43 20 24	O-ring
18	00 42 21 46	Strainer: filter screen 1/2"   3/4"
19	00 42 21 45	Filter cover
20	00 42 24 97	Water hose/air hose DN19 - 390 mm



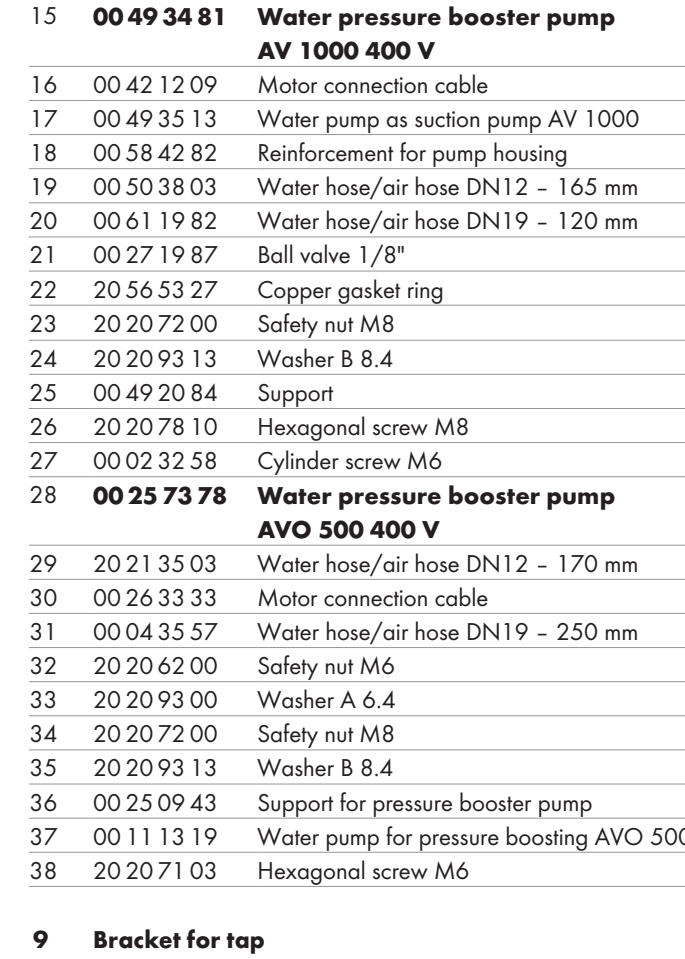
### 10 Spraying gun

Pos.	Part no.	Description
1	00 07 32 26	Spray head, offset
2	20 20 99 80	Ring screw M10
3	20 19 09 00	Spraying cap F1.4
4	00 13 62 27	Spray head, straight
5	20 19 01 00	Hose nozzle tube
6	20 19 19 00	Threaded tube
7	00 07 56 89	Sticker
8	00 07 45 13	PVC hose
9	20 19 92 00	Coupling 25 female part
10	20 19 96 00	Gasket
11	20 20 17 00	Gasket Geka
12	20 20 10 00	Geka coupling 3/8"
13	20 19 02 00	Fixing bracket
14	20 19 03 20	Ball valve 3/8"
15	20 20 26 10	Hose clip
16	20 19 05 10	Hose section



### 11 Control box G 4 smart inside

Pos.	Part no.	Description
1	00 04 25 99	Motor protection switch 0.63-1A
2	00 02 34 95	Sealing profile
3	00 28 18 74	Gasket for switch panel
4	00 23 31 10	Sheet metal screw 3.9 x 1.6
5	00 25 25 28	Empty housing
6	00 02 14 01	Auxiliary contact
7	00 04 26 02	Motor protection switch 10-16A
8	00 08 42 25	Air-break contactor DIL M17-10
9	00 05 92 93	Auxiliary switch
10	00 08 42 23	Air-break contactor DIL M9-10
11	00 04 26 01	Motor protection switch 1.6-2.5A
12	00 08 42 23	Air-break contactor DIL M9-10
13	00 08 42 26	Air-break contactor DIL M25-10
14	20 45 27 31	Phase sequence relay
15	00 04 26 02	Motor protection switch 10-16A
16	00 23 37 71	Automatic circuit breaker C 2A
17	00 04 26 00	Motor protection switch 1-1.6A
18	00 26 13 76	Control transformer



### 12 Control box G 4 smart switch panel

Pos.	Part no.	Description
1	00 28 42 21	Switch panel complete
2	00 05 38 86	LED resistor
3	00 05 38 79	Luminous element, red
4	00 05 38 34	Fastening adapter
5	00 05 38 26	Contact element opener
6	00 05 38 81	Luminous element, white
7	00 05 38 35	Contact element closer
8	00 28 10 69	Switch panel
9	20 45 20 00	Main reversing switch
10	00 05 92 97	Blind closure
11	00 05 38 39	Pushbutton